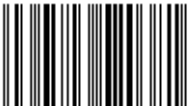
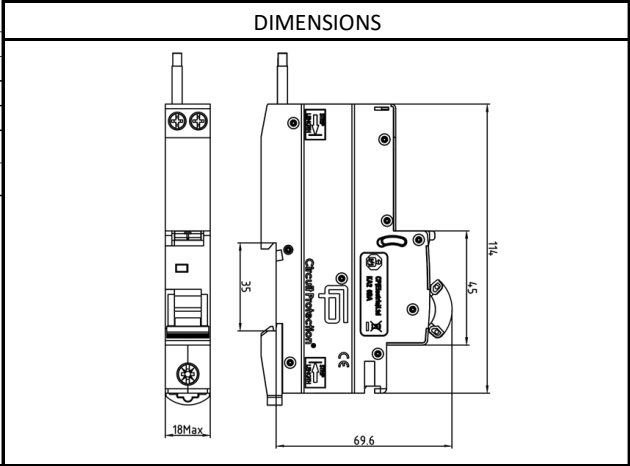
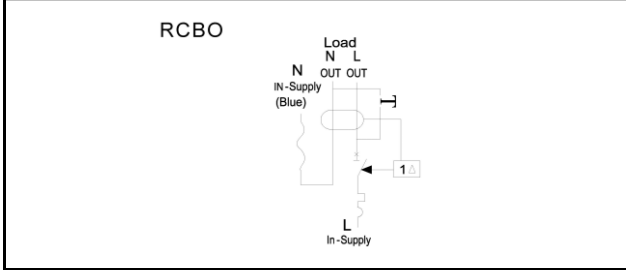
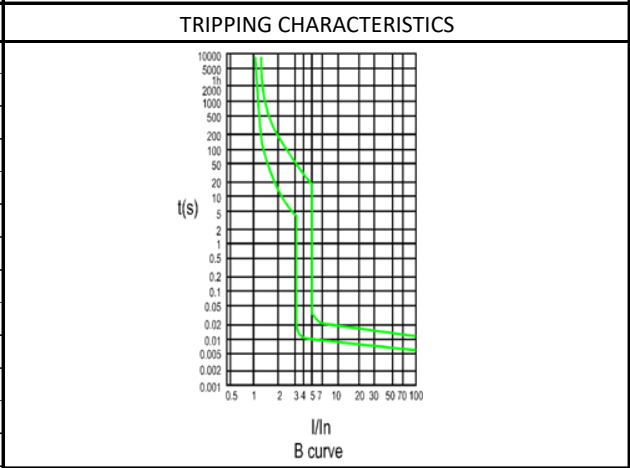


<h1 style="margin:0;">FuseBox®</h1>	<p>BARCODE</p>  <p>5 060523 520381</p>
-------------------------------------	--

<p>RCBO RT063230B</p>	 <p style="font-size: 8px;">Circuit Protection</p>
----------------------------------	---

TECHNICAL	RCBO
Specification	BS EN 61009-1
Standard	1P + N
Number of Poles	B curve= 3-5I _n
Tripping Characteristics	C curve= 5-10I _n
Tripping Type	Electronic
Rated Breaking Capacity (I _{cu})	6kA
Rated Current (I _n)	6 - 50A
Rated Voltage (U _n /AC)	230V
Residual Current Characteristics	AC
Rated Residual Operating Current (I _{Δn})	0.03
Frequency (Hz)	50/60
Mechanical Endurance	20,000
Protection Degree	IP20
Terminal Size (mm ²)	1 - 16 (L IN) 1 - 10 (Load: Nout Lout)
Tightening Torque (Nm)	2.5 (L IN) 1.2 (Load: Nout Lout)
Operating Temperature °C	-25~ +40°C
Storage Temperature °C	-25~ +70°C



PRODUCT DATA

PART NUMBER	RT063230B
BARCODE	5060523520381
DESCRIPTION	32A 30mA B TYPE 6kA RCBO
VOLTAGE	230V 50/60Hz
MAXIMUM LOAD	32A
TERMINAL CAPACITY	1-16mm ² L in, 1-10mm ² Lout/Nout
IP RATING	20
STANDARD	BS EN 61009-1
WEIGHT (1PC) Kg	0.2
INNER CARTON QUANTITY	1
OUTER CARTON QUANTITY	60
ORIGIN OF MANUFACTURE	CHINA

